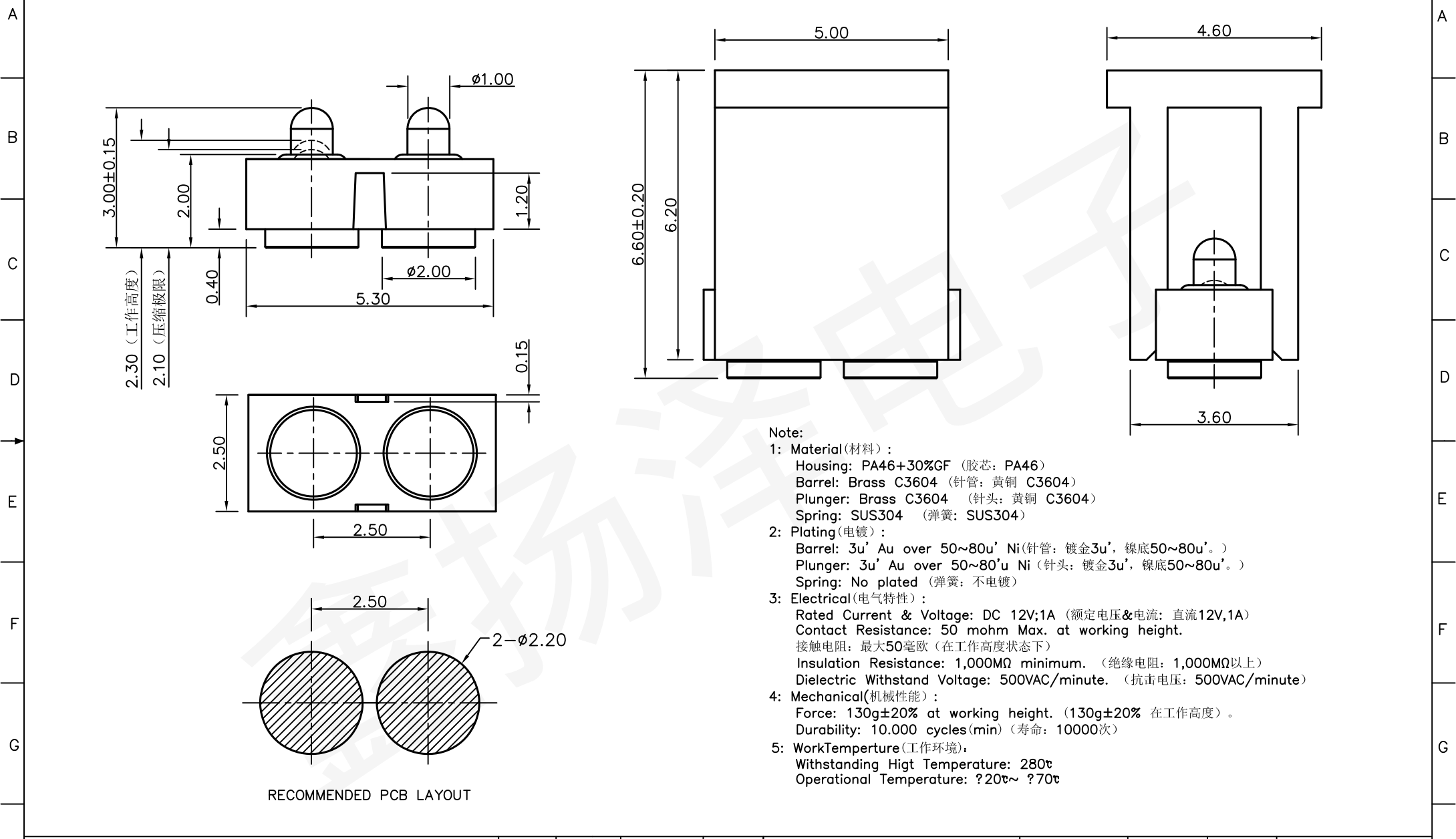


NO.	ECN NO.	DESCRIPTION	DATE



Note:

- Material (材料):**
 Housing: PA46+30%GF (胶芯: PA46)
 Barrel: Brass C3604 (针管: 黄铜 C3604)
 Plunger: Brass C3604 (针头: 黄铜 C3604)
 Spring: SUS304 (弹簧: SUS304)
- Plating (电镀):**
 Barrel: 3u' Au over 50~80u' Ni (针管: 镀金3u', 镍底50~80u'.)
 Plunger: 3u' Au over 50~80u' Ni (针头: 镀金3u', 镍底50~80u'.)
 Spring: No plated (弹簧: 不电镀)
- Electrical (电气特性):**
 Rated Current & Voltage: DC 12V;1A (额定电压&电流: 直流12V,1A)
 Contact Resistance: 50 mohm Max. at working height.
 接触电阻: 最大50毫欧 (在工作高度状态下)
 Insulation Resistance: 1,000MΩ minimum. (绝缘电阻: 1,000MΩ以上)
 Dielectric Withstand Voltage: 500VAC/minute. (抗电压: 500VAC/minute)
- Mechanical (机械性能):**
 Force: 130g ± 20% at working height. (130g ± 20% 在工作高度)
 Durability: 10,000 cycles (min) (寿命: 10000次)
- Work Temperature (工作环境):**
 Withstanding Hight Temperature: 280℃
 Operational Temperature: ?20℃ ~ ?70℃

RECOMMENDED PCB LAYOUT

深圳市鑫扬泽电子有限公司



HTTP://WWW.XYZPOGOPIN.COM
 TEL: 0755-28773277 FAX: 0755-28891353

SCALE:	N/A	UNIT	mm
SHEET:	1 of 1	PROJECTION	
DATE:	2013.06.07	VER.	D.0

THE UNMARKED TOLERANCE ARE AS BELOW :			
LENGTH		ANGLE	
X.XX	±0.05mm	X.XX	±0.50°
X.X	±0.10mm	X.X	±1.00°
X.	±0.20mm	X.	±2.00°

DESIGNED BY:		DWG. NO.	YZ30415030R-02025
CHECKED BY:		TITLE:	Pogo pin 连接器
APPROVED BY:			