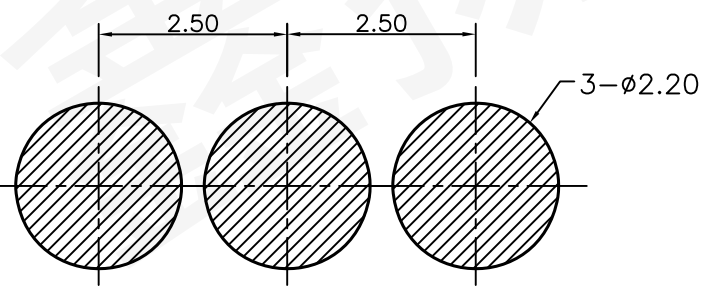
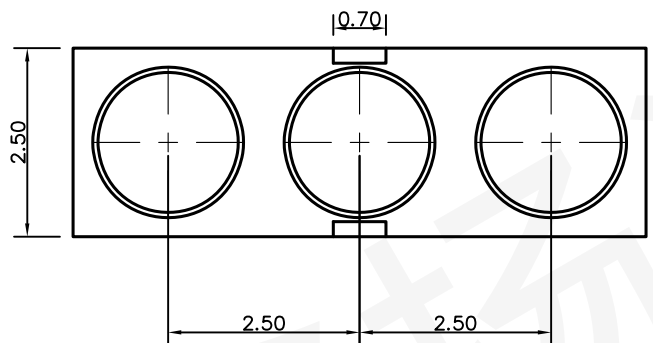
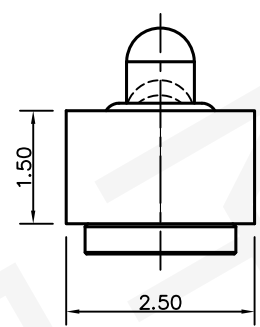
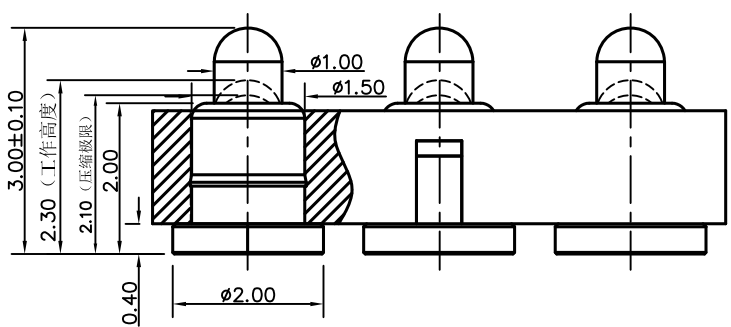


NO.	ECN NO.	DESCRIPTION	DATE



Note:

1: Material(材料):
Housing: PA46+30%GF (胶芯: PA46)
Barrel: Brass C3604 (针管: 黄铜 C3604)
Plunger: Brass C3604 (针头: 黄铜 C3604)
Spring: SUS304 (弹簧: SUS304)

2: Plating(电镀):
Barrel: 3u' Au over 50~80u' Ni (针管: 镀金3u', 镍底50~80u'.)
Plunger: 3u' Au over 50~80u' Ni (针头: 镀金3u', 镍底50~80u'.)
Spring: No plated (弹簧: 不电镀)

3: Electrical(电气特性):
Rated Current & Voltage: DC 12V;1A (额定电压&电流: 直流12,1A)
Contact Resistance: 50 mohm Max. at working height.
接触电阻: 最大50毫欧 (在工作高度状态下)
Insulation Resistance: 1,000MΩ minimum. (绝缘电阻: 1,000MΩ以上)
Dielectric Withstand Voltage: 500VAC/minute. (抗击电压: 500VAC/minute)

4: Mechanical(机械性能):
Force: 130g±20% at working height. (130g±20% 在工作高度)。)
Full stroke: 1.00mm (全行程: 1.00mm)
Durability: 10,000 cycles(min) (寿命: 10000次)

5: WorkTemperture(工作环境):
Withstanding Higt Temperature: 280℃
Operational Temperature: ?20℃~ ?70℃

深圳市鑫扬泽电子有限公司



HTTP://WWW.XYZPOGOPIN.COM
TEL:0755-28773277 FAX:0755-28891353

SCALE:	N/A	UNIT	mm
SHEET:	1 of 1	PROJECTION	
DATE:	2013.04.11	VER.	A.0

THE UNMARKED TOLERANCE ARE AS BELOW :			
LENGTH		ANGLE	
X.XX	±0.05mm	X.XX	±0.50°
X.X	±0.10mm	X.X	±1.00°
X.	±0.20mm	X.	±2.00°

DESIGNED BY:		DWG. NO.	YZ24315030R-03025
CHECKED BY:		TITLE:	Pogo pin 连接器
APPROVED BY:			