

NO.	ECN NO.	DESCRIPTION	DATE

Note:

1: Material (材料):

Housing: PA46+30%GF (胶芯: PA46)
 Barrel: Brass C3604 (针管: 黄铜 C3604)
 Plunger: Brass C3604 (针头: 黄铜 C3604)
 Spring: SUS304 (弹簧: SUS304)
 Bearing ball: SUS 304 (钢珠: SUS304)

2: Plating (电镀):

Barrel: 3u' Au over 50~80u' Ni (针管: 镀金3u', 镍底50~80u'.)
 Plunger: 3u' Au over 50~80u' Ni (针头: 镀金3u', 镍底50~80u'.)
 Spring: Gold flash (弹簧: 电镀)
 Bearing ball: Gold flash (钢珠: 电镀)

3: Electrical (电气特性):

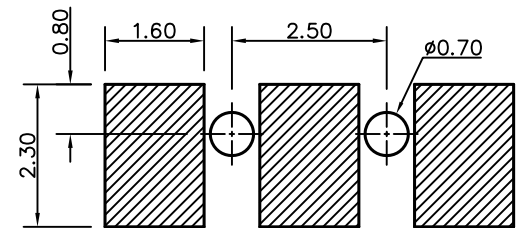
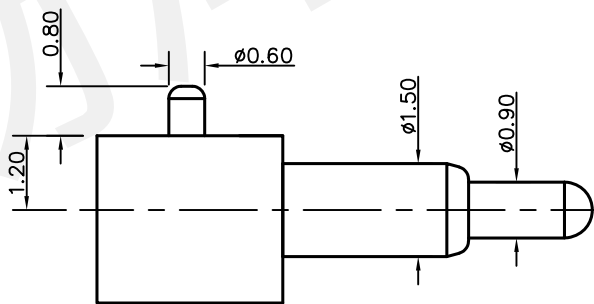
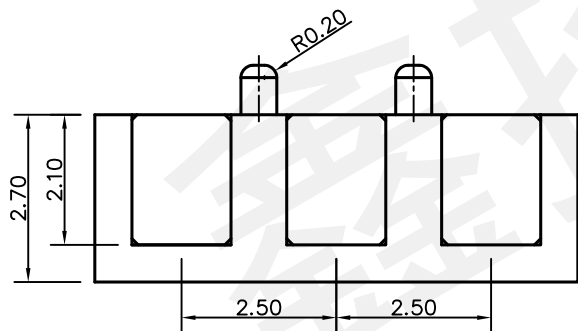
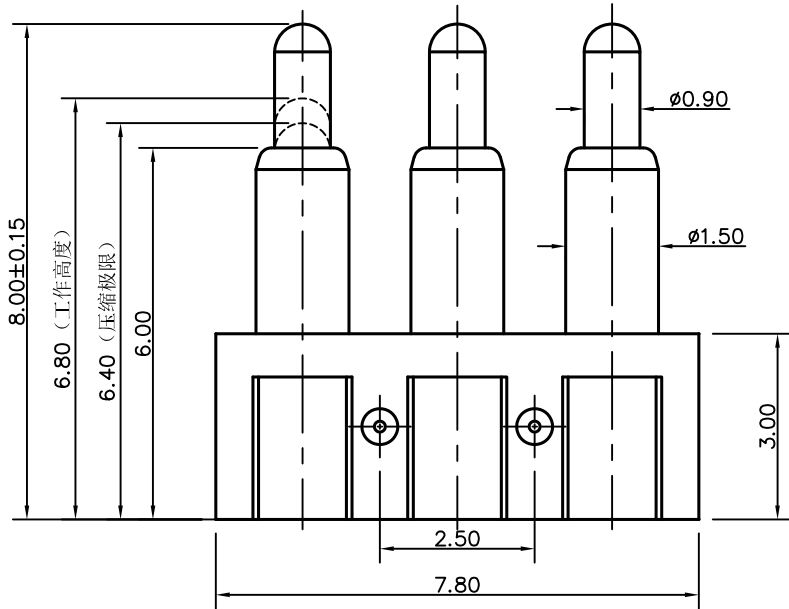
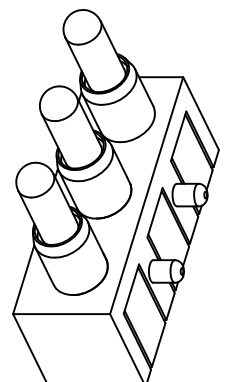
Rated Current & Voltage: DC 12V;5A (额定电压&电流: 直流12V,5A)
 Contact Resistance: 50 mohm Max. at working height.
 接触电阻: 最大50毫欧 (在工作高度状态下)
 Insulation Resistance: 1,000MΩ minimum. (绝缘电阻: 1,000MΩ以上)
 Dielectric Withstand Voltage: 500VAC/minute. (抗击电压: 500VAC/minute)

4: Mechanical (机械性能):

Force: 60g±20% at working height. (60g±20%在工作高度)。)
 Durability: 10,000 cycles(min) (寿命: 10000次)

5: Work Temperature (工作环境):

Withstanding Higt Temperature: 280℃
 Operational Temperature: ?40℃~ ?85℃



RECOMMENDED PCB LAYOUT

深圳市鑫扬泽电子有限公司



HTTP://WWW.XYZPOGOPIN.COM
 TEL: 0755-28773277 FAX: 0755-28891353

SCALE:	N/A	UNIT	mm
SHEET:	1 of 1	PROJECTION	
DATE:	2017.11.14	VER.	D.0

THE UNMARKED TOLERANCE ARE AS BELOW:			
LENGTH		ANGLE	
X.XX	±0.05mm	X.XX	±0.50°
X.X	±0.10mm	X.X	±1.00°
X.	±0.20mm	X.	±2.00°

DESIGNED BY:		DWG. NO.	YZF0047-21080-03025
CHECKED BY:		TITLE:	Pogo pin 连接器
APPROVED BY:			