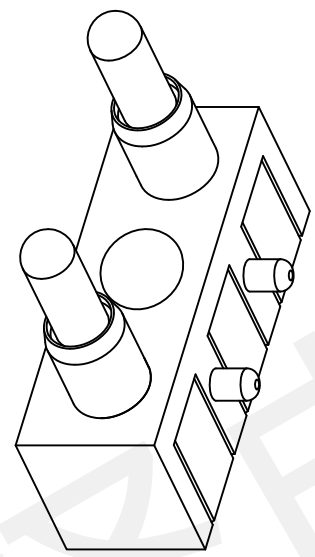
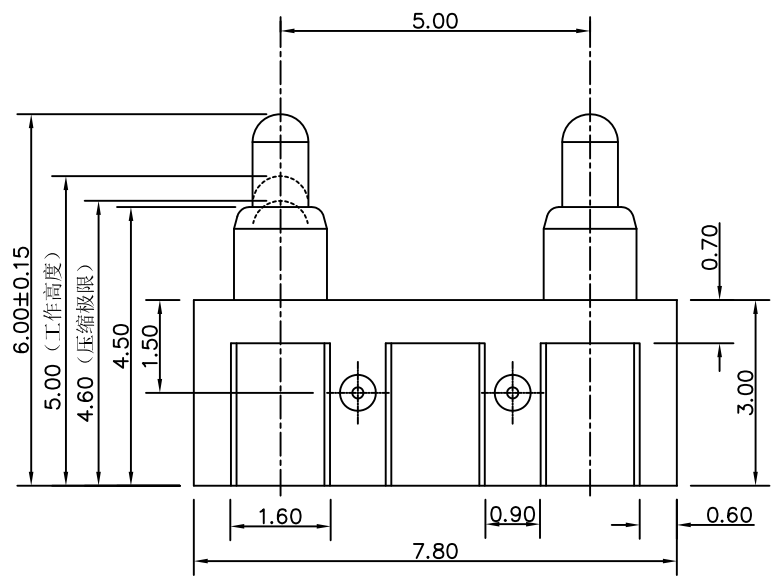
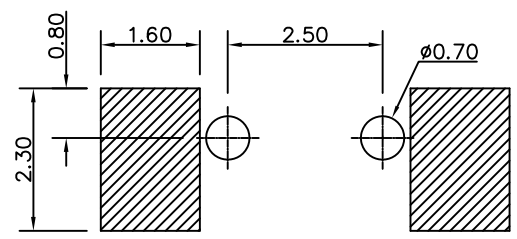
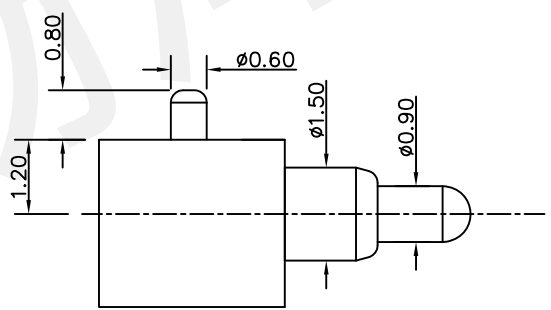
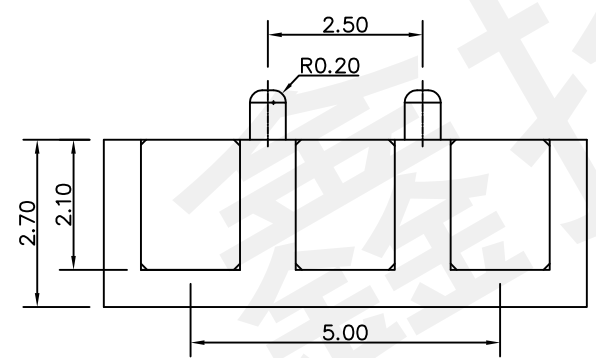


|     |         |             |      |
|-----|---------|-------------|------|
| NO. | ECN NO. | DESCRIPTION | DATE |
|     |         |             |      |



Note:

- Material (材料):  
 Housing: PA46+30%GF (胶芯: PA46)  
 Barrel: Brass C3604 (针管: 黄铜 C3604)  
 Plunger: Brass C3604 (针头: 黄铜 C3604)  
 Spring: SUS304 (弹簧: SUS304)
- Plating (电镀):  
 Barrel: 3u' Au over 50~80u' Ni (针管: 镀金3u', 镍底50~80u'.)  
 Plunger: 3u' Au over 50~80u' Ni (针头: 镀金3u', 镍底50~80u'.)  
 Spring: No plated (弹簧: 不电镀)
- Electrical (电气特性):  
 Rated Current & Voltage: DC 12V/3A (额定电压&电流: 直流12V, 3A)  
 Contact Resistance: 50 mohm Max. at working height.  
 接触电阻: 最大50毫欧 (在工作高度状态下)  
 Insulation Resistance: 1,000MΩ minimum. (绝缘电阻: 1,000MΩ 以上)  
 Dielectric Withstand Voltage: 500VAC/minute. (抗电压: 500VAC/minute)
- Mechanical (机械性能):  
 Force: 30g±20% at working height. (30g±20%在工作高度)  
 Durability: 10,000 cycles (min) (寿命: 10000次)
- Work Temperature (工作环境):  
 Withstanding Hight Temperature: 280℃  
 Operational Temperature: - 40℃ ~ + 85℃



RECOMMENDED PCB LAYOUT

深圳市鑫扬泽电子有限公司



HTTP://WWW.XYZPOGOPIN.COM  
 TEL: 0755-28773277 FAX: 0755-28891353

|        |            |            |     |
|--------|------------|------------|-----|
| SCALE: | N/A        | UNIT       | mm  |
| SHEET: | 1 of 1     | PROJECTION |     |
| DATE:  | 2017.11.14 | VER.       | D.0 |

|                                       |         |       |        |
|---------------------------------------|---------|-------|--------|
| THE UNMARKED TOLERANCE ARE AS BELOW : |         |       |        |
| LENGTH                                |         | ANGLE |        |
| X.XX                                  | ±0.05mm | X.XX  | ±0.50° |
| X.X                                   | ±0.10mm | X.X   | ±1.00° |
| X.                                    | ±0.20mm | X.    | ±2.00° |

|              |                              |
|--------------|------------------------------|
| DESIGNED BY: | DWG. NO. YZF0017-21060-02050 |
| CHECKED BY:  | TITLE: Pogo pin 连接器          |
| APPROVED BY: |                              |