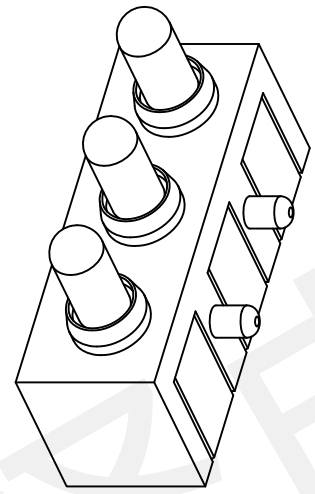
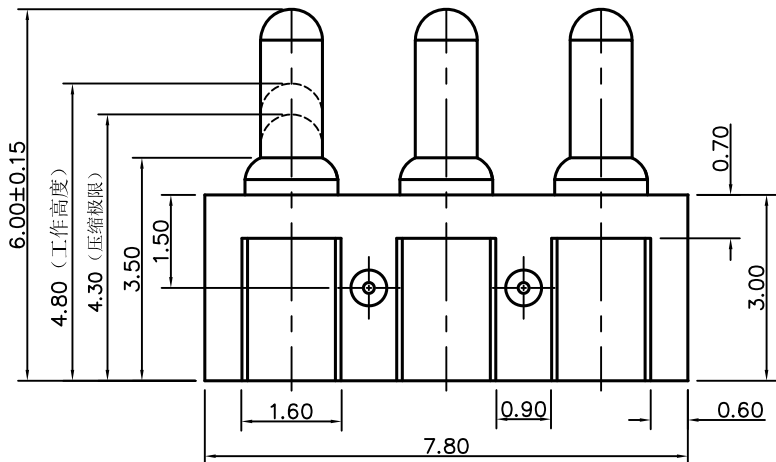
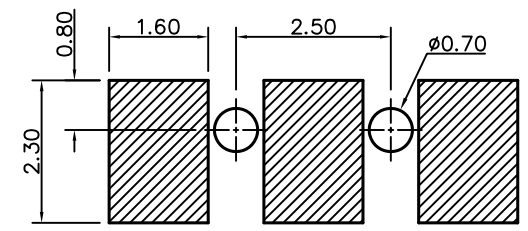
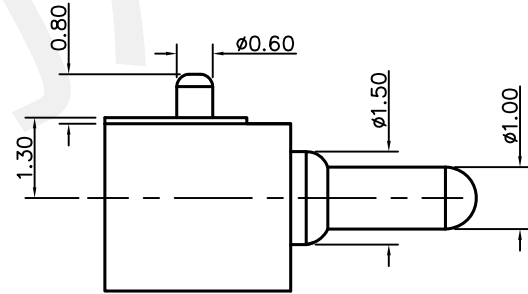
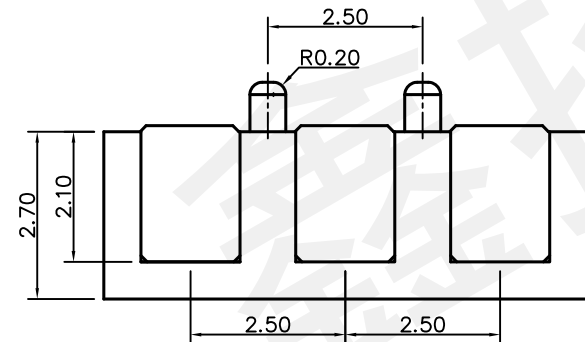


NO.	ECN NO.	DESCRIPTION	DATE
		镀金层变更为3U	2019. 8. 29



Note:

- Material(材料):
 Housing: PA46+30%GF (胶芯: PA46)
 Barrel: Brass C3604 (针管: 黄铜 C3604)
 Plunger: Brass C3604 (针头: 黄铜 C3604)
 Spring: SUS304 (弹簧: SUS304)
- Plating(电镀):
 Barrel: 3u' Au over 50~80u' Ni (针管: 镀金3u', 镍底50~80u'.)
 Plunger: 3u' Au over 50~80u' Ni (针头: 镀金3u', 镍底50~80u'.)
 Spring: No plated (弹簧: 不电镀)
- Electrical(电气特性):
 Rated Current & Voltage: DC 12V;1.5A (额定电压&电流: 直流12.1.5A)
 Contact Resistance: 50 mohm Max. at working height.
 接触电阻: 最大50毫欧 (在工作高度状态下)
 Insulation Resistance: 1,000MΩ minimum. (绝缘电阻: 1,000MΩ以上)
 Dielectric Withstand Voltage: 500VAC/minute. (抗击电压: 500VAC/minute)
- Mechanical(机械性能):
 Force: 120g±20% at working height. (120g±20%在工作高度)
 Full stroke: 1.50mm (全行程: 1.50mm)
 Durability: 10,000 cycles(min) (寿命: 10000次)
- WorkTemperature(工作环境):
 Withstanding Higt Temperature: 280°C
 Operational Temperature: -20°C ~ +70°C



RECOMMENDED PCB LAYOUT

深圳市鑫扬泽电子有限公司



HTTP://WWW.XYZPOGOPIN.COM
 TEL:0755-28773277 FAX:0755-28891353

SCALE:	N/A	UNIT	mm	THE UNMARKED TOLERANCE ARE AS BELOW :		DESIGNED BY:	lyg	DWG. NO.	YZ182115060F-03025
SHEET:	1 of 1	PROJECTION		LENGTH	ANGLE	CHECKED BY:		TITLE:	Pogo pin 连接器
DATE:	2020.2.24	VER.	A.0	X.XX ±0.05mm	X.XX ±0.50°	APPROVED BY:			
				X.X ±0.10mm	X.X ±1.00°				
				X. ±0.20mm	X. ±2.00°				