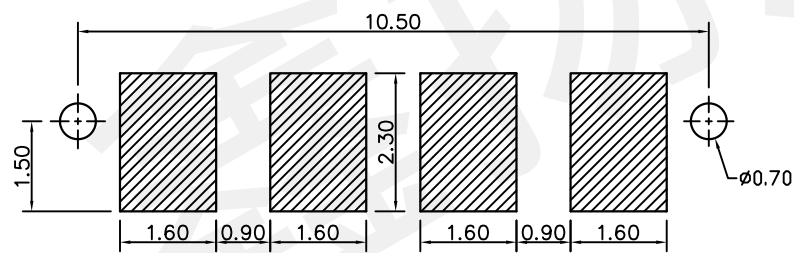
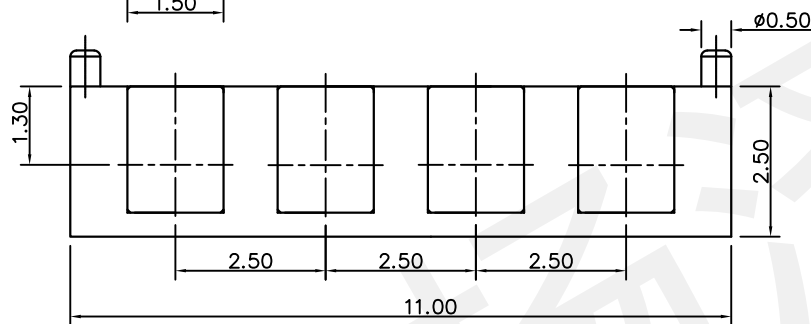
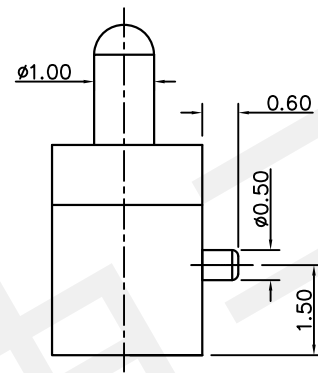
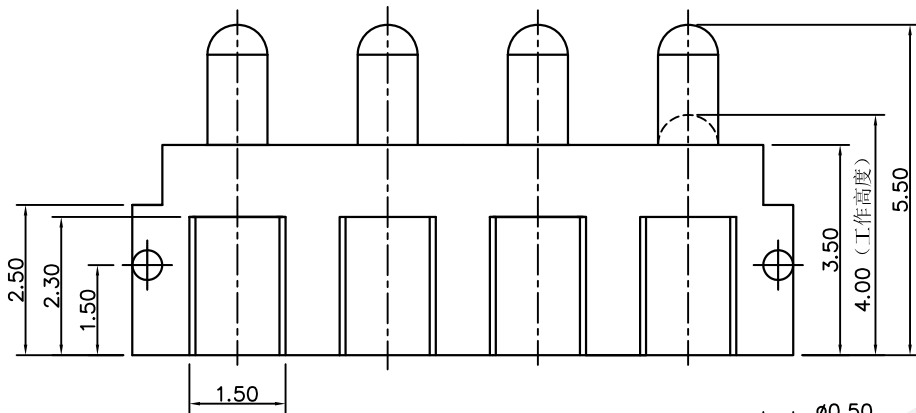


| NO. | ECN NO. | DESCRIPTION | DATE |
|-----|---------|-------------|------|
|     |         |             |      |



RECOMMENDED PCB LAYOUT

Note:

- Material (材料):  
 Housing: PA46+30%GF (胶芯: PA46)  
 Barrel: Brass C3604 (针管: 黄铜 C3604)  
 Plunger: Brass C3604 (针头: 黄铜 C3604)  
 Spring: SUS304 (弹簧: SUS304)
- Plating (电镀):  
 Barrel: 3u' Au over 50~80u' Ni (针管: 镀金3u', 镍底50~80u'.)  
 Plunger: 3u' Au over 50~80u' Ni (针头: 镀金3u', 镍底50~80u'.)  
 Spring: No plated (弹簧: 不电镀)
- Electrical (电气特性):  
 Rated Current & Voltage: DC 12V;1A (额定电压&电流: 直流12V,1A)  
 Contact Resistance: 50 mohm Max. at working height.  
 接触电阻: 最大50毫欧 (在工作高度状态下)  
 Insulation Resistance: 1,000M $\Omega$  minimum. (绝缘电阻: 1,000M $\Omega$  以上)  
 Dielectric Withstand Voltage: 500VAC/minute. (抗击电压: 500VAC/minute)
- Mechanical (机械性能):  
 Force: 120g $\pm$ 20% at working height. (120g $\pm$ 20%在工作高度)。)  
 Durability: 10,000 cycles(min) (寿命: 10000次)
- Work Temperature (工作环境):  
 Withstanding Higt Temperature: 280 $^{\circ}$ C  
 Operational Temperature: -40 $^{\circ}$ C ~ +85 $^{\circ}$ C

深圳市鑫扬泽电子有限公司

HTTP://WWW.XYZPOGOPIN.COM  
 TEL: 0755-28773277 FAX: 0755-28891353



|        |            |            |     |
|--------|------------|------------|-----|
| SCALE: | N/A        | UNIT       | mm  |
| SHEET: | 1 of 1     | PROJECTION |     |
| DATE:  | 2017.04.18 | VER.       | D.0 |

THE UNMARKED TOLERANCE ARE AS BELOW :

| LENGTH |               | ANGLE |                    |
|--------|---------------|-------|--------------------|
| X.XX   | $\pm 0.05$ mm | X.XX  | $\pm 0.50^{\circ}$ |
| X.X    | $\pm 0.10$ mm | X.X   | $\pm 1.00^{\circ}$ |
| X.     | $\pm 0.20$ mm | X.    | $\pm 2.00^{\circ}$ |

|              |  |          |                    |
|--------------|--|----------|--------------------|
| DESIGNED BY: |  | DWG. NO. | YZ165615055F-04025 |
| CHECKED BY:  |  | TITLE:   | Pogo pin 连接器       |
| APPROVED BY: |  |          |                    |