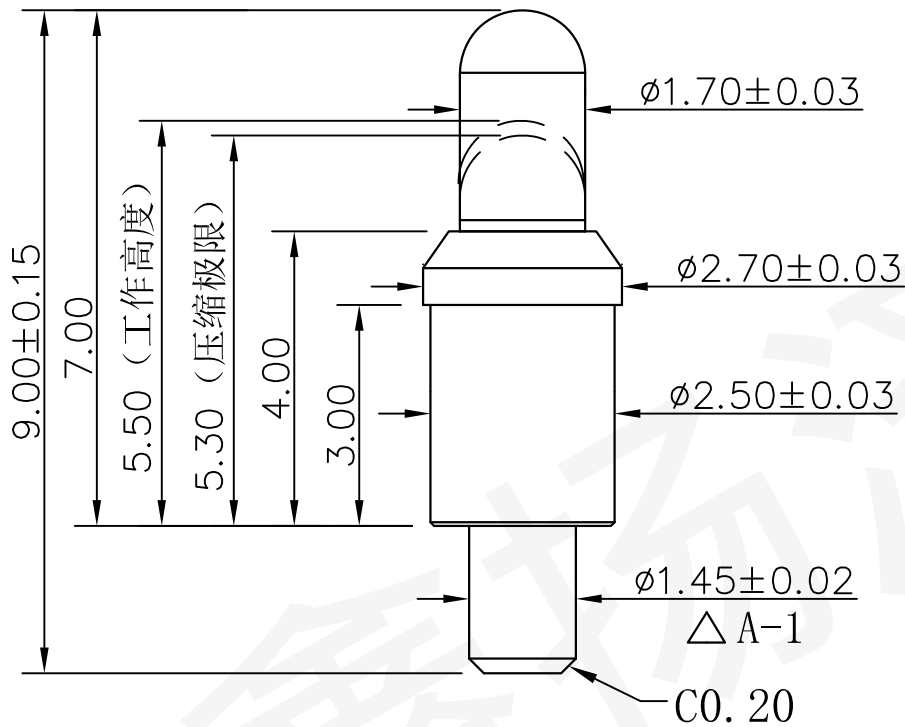


# 客户图

NO.	ECN NO.	DESCRIPTION	DATE
1	A-0		2019.08.27
2	A-1	△A-1 改焊脚外径	2020.03.21



### Note:

- Material (材料):
  - Barrel: Brass C3604 (针管: 黄铜 C3604)
  - Plunger: Brass C3604 (针头: 黄铜 C3604)
  - Spring: SUS304 (弹簧: SUS304)
- Plating (电镀):
  - Barrel: 3u' Au over 50~80u' Ni (针管: 镀金3u', 镍底50~80u'.)
  - Plunger: 3u' Au over 50~80u' Ni (针头: 镀金3u', 镍底50~80u'.)
  - Spring: No plated (弹簧: 不电镀)
- Electrical (电气特性):
  - Rated Current & Voltage: DC 12V; 2A (额定电压&电流: 直流12V, 2A)
  - Contact Resistance: 50 mohm Max. at working stroke. (接触电阻: 最大50毫欧 (在工作行程状态下))
- Mechanical (机械性能):
  - Force:  $100g \pm 20\%$  at working height. ( $100g \pm 20\%$  在工作高度时。)
  - Durability: 10,000 cycles (min) (寿命: 10000次)
- Work Temperature (工作环境):
  - Withstanding Higt Temperature:  $280^{\circ}\text{C}$
  - Operational Temperature:  $-40^{\circ}\text{C} \sim +85^{\circ}\text{C}$

深圳市鑫扬泽电子有限公司



HTTP://WWW.XYZPOGOPIN.COM

TEL: 0755-28773277 FAX: 0755-28891353

SCALE:	N/A	UNIT	mm
SHEET:	1 of 1	PROJECTION	
DATE:	2019.08.27	VER.	A-1

THE UNMARKED TOLERANCE ARE AS BELOW :			
LENGTH		ANGLE	
X.XX	$\pm 0.05\text{mm}$	X.XX	$\pm 0.50^{\circ}$
X.X	$\pm 0.10\text{mm}$	X.X	$\pm 1.00^{\circ}$
X.	$\pm 0.20\text{mm}$	X.	$\pm 2.00^{\circ}$

DESIGNED BY:	lyg	DWG. NO.	YZP0207-27090
CHECKED BY:		TITLE:	Pogo pin
APPROVED BY:			